

Weatherproofing Kit Installation Guide

Spectracom's Weatherproofing Kit provides moisture protection for outdoor GPS antenna installations. The kit includes materials used to protect the connection (Figure 1) between the GPS antenna and the cable run through the antenna mast to the antenna unit.

The Weatherproofing Kit consists of the following:

- Weather Proofing Wrap
- Vinyl Electrical Tape

Introduction

In a typical installation, the GPS antenna cable is run through the antenna mast (Figure 2). It is then connected to the GPS antenna unit. After this connection is made, the antenna unit is secured to the threads of the mast using the plastic collar.

Moisture may enter the connection between the antenna unit and the antenna cable, causing equipment damage. To prevent this, weatherproof the connection as described in these instructions.

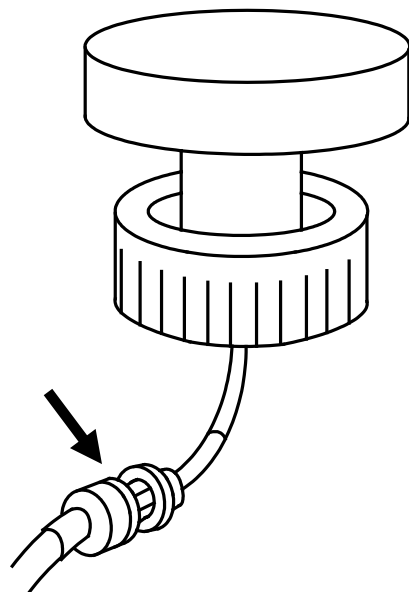


Figure 1: Cable Connection

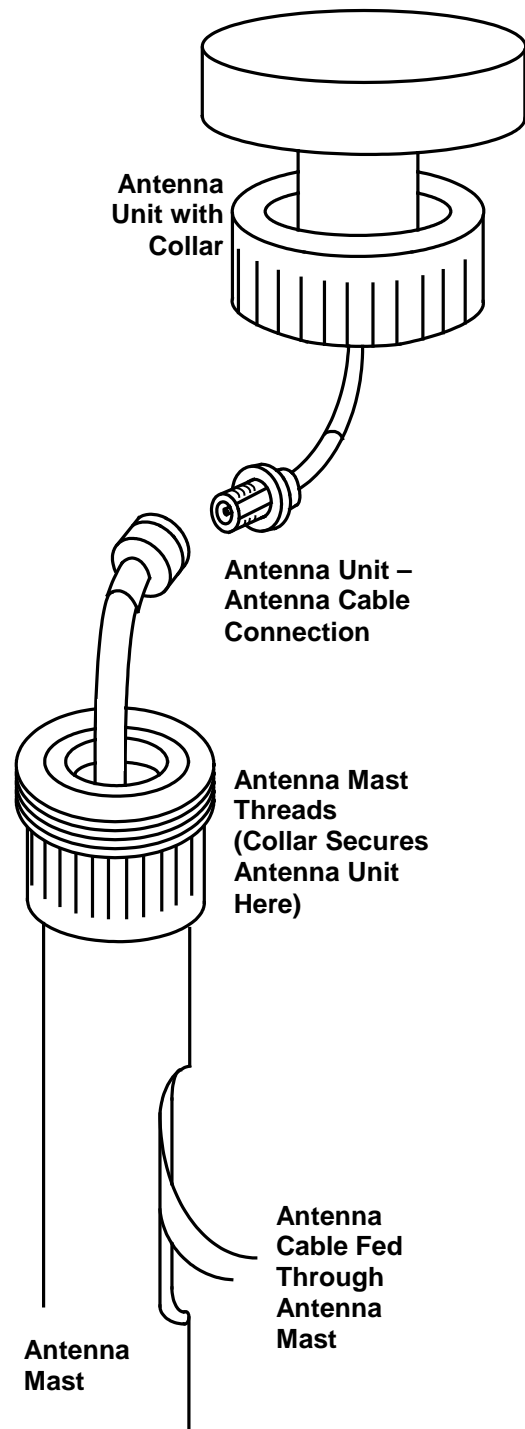


Figure 2: Typical Installation

Installing This Kit

Install the antenna mast and antenna cable as appropriate for the application. Feed the antenna cable through the mast as shown in Figure 1. Connect the GPS antenna unit to the antenna cable, but do not secure the antenna to the mast. Perform the following steps to weatherproof the connection:

1. Using the supplied vinyl electrical tape, wrap the connection between the antenna unit and the antenna cable (Figure 3). Make sure to extend the layer of tape beyond the cable seams at both ends.

NOTE: Do not use more than a single layer of tape. The insulated cable connection must fit through the hole at the top of the antenna mast when weatherproofing is complete. Using too much tape at any point in the process may cause difficulty in securing the GPS Antenna unit to the mast.

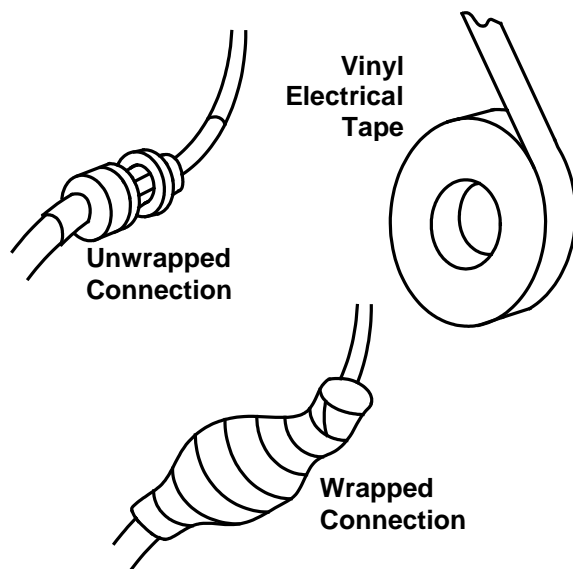


Figure 3: Wrapping the Connection with Vinyl Electrical Tape

2. Unroll a section of paper-backed weatherproofing wrap that is long enough to enclose the taped connection lengthwise (Figure 4).

NOTE: The weatherproofing wrap is flexible and very sticky. It may help to cut the section with scissors or shears and then peel the wrap free of the backing.

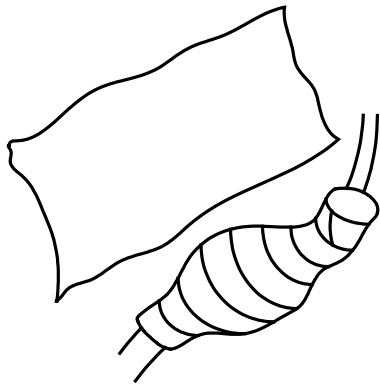


Figure 4: Wrapping the Connection with Weatherproofing Wrap

3. Fold the weatherproofing wrap over the taped connection and *squeeze the wrap as tightly as possible* to minimize its bulk. Do not use more wrap than is necessary to enclose the taped connection.

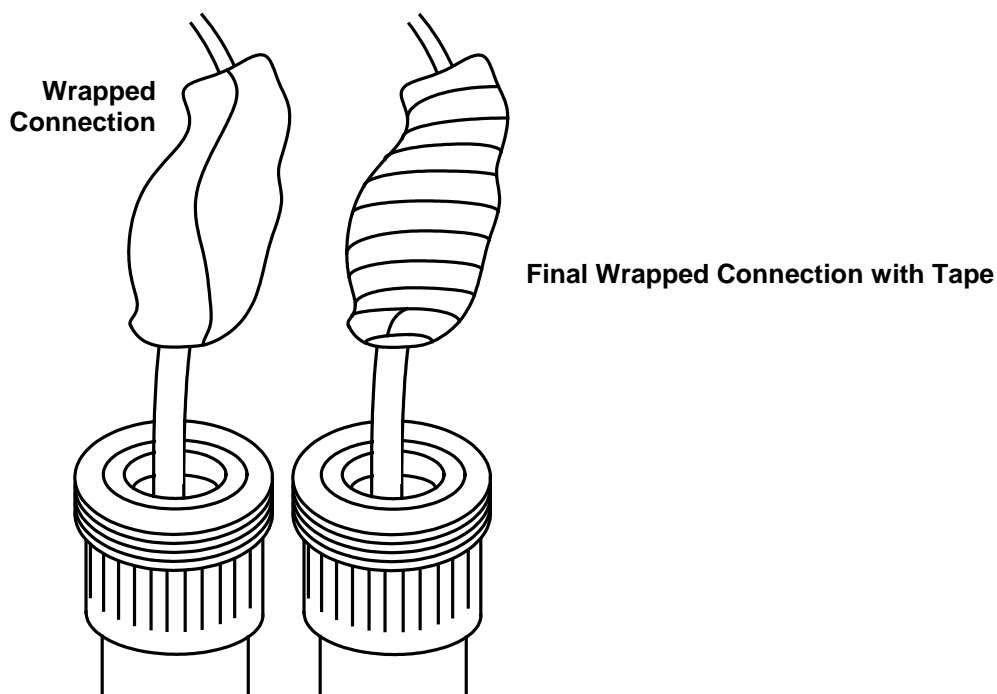


Figure 5: Taping the Connection

4. Add a second, final layer of vinyl electrical tape. Feed the protected connection through the mast and secure the antenna unit using the collar.

Document Revision History			
Rev	ECN	Description	Date
A	N/A	<i>Initial revision.</i>	August, 2006
B	3002	<i>General document maintenance.</i>	August, 2012

Orolia USA, Inc.

1565 Jefferson Rd., STE 460

Rochester, NY 14623

www.spectracomcorp.com

Phone: US +1.585.321.5800

Fax: US +1.585.321.5219

An Orolia Group Business