

GPS Antenna Fiber Optic Link Kit

MODEL 1201-KIT-FIB2-C

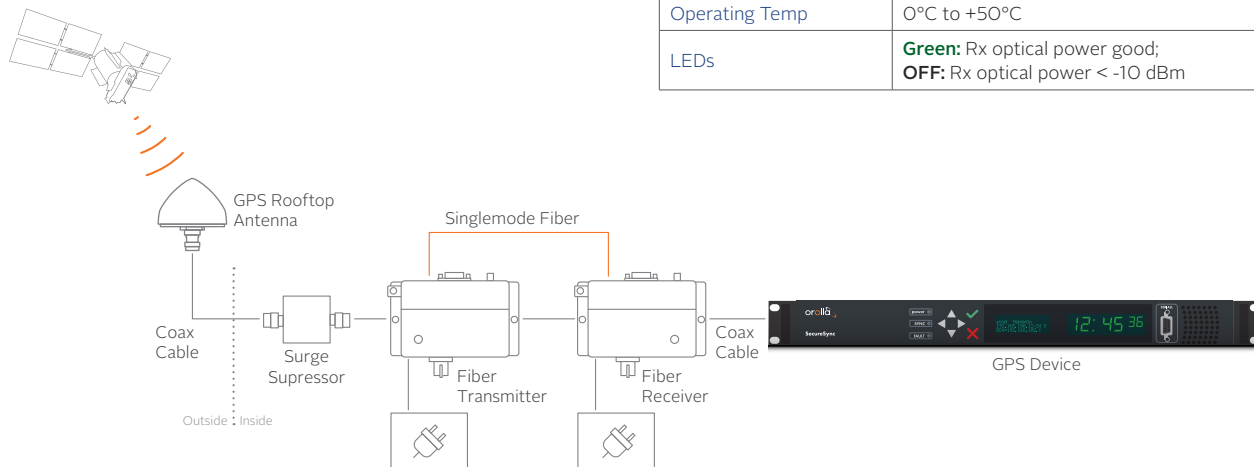


Fiber Optic Receiver and Transmitter: Dimensions: 4.5" W x 1.2" H x 3.1" D (114 mm W x 31 mm H x 78 mm D)

When fiber optics are required for connection between a Orolia GPS receiver device and a roof-top antenna, Spectracom offers the Optical Zonu GPS over Fiber Optic Link Kit. The link between the fiber transmitter and receiver is via 9/125 micron singlemode simplex fiber via SC/APC connectors up to 5 miles (8 km).

Use a standard Orolia GPS RF antenna, surge suppressor, and coax cable system to connect to the fiber transmitter. The transmitter requires power (external supply included) which also supplies the 5V thru the RF cable to the antenna. At the end of the fiber link, the receiver requires power (external supply included) and is connected to the GPS device with a coax cable. Spectracom provides 12" coax converter cables with SMA male to type N female connectors.

The fiber receiver includes an active DC load on the RF connector center pin to prevents the antenna failure alarm in the GPS device. However, if the fiber detects antenna failure, it opens the active DC load at the RF output which triggers the alarm.



Specification Summary

Fiber Optic Transmitter	
Input Connection	SMA Female (N to SMA adapter included)
Gain	20 dB +/- 1 dB
Impedance	50 ohm
Power for Antenna	5 VDC, 50 mA
Frequency	1 to 2 GHz
Power Connection	DB-9 12VDC (12VDC, 0.5 A power supply included)
Input Voltage	DC 12VDC @ 240 mA
Output Connection	SC/APC Type Fiber Optic Connector for Simplex Singlemode 9/125 Micron Cable
Fiber Length	System allows Fiber Runs of up to 5 miles (8 km) of 9/125 Fiber Optic Cable
Delay	< 1 ns + 3.3 ns/m fiber length
Storage Temp	-40°C to +50°C
Operating Temp	-40°C to +75°C
LEDs	Green: OK; Yellow: Antenna Fail; Red: Tx Fail; OFF: Power Supply Fail

Fiber Optic Receiver	
Input Connection	SC/APC Type Fiber Optic Connector for Simplex Singlemode 9/125 Micron Cable
Power Connection	DB-9 12VDC (12VDC, 0.5 A power supply included)
Input Voltage	DC 12VDC @ 310 mA
Output Connection	SMA Female (SMA to N adapter included)
Storage Temp	-40°C to +85°C
Operating Temp	0°C to +50°C
LEDs	Green: Rx optical power good; OFF: Rx optical power < -10 dBm