

Patented Smart LNRClok-1500

Auto-Adaptive GPS/GNSS SmarTiming+® Technology

Optional SMA connector for GPS/ GNSS antenna kit when GPS/ GNSS receiver is embedded

Applications

Telecom | Navigation | Broadcast
Defense | Instrument



KEY FEATURES

- Ultra low phase noise 10MHz output : -133dBc/Hz @ 10 Hz
- Embedded GPS/GNSS receiver : Optional
- SMA input connector : 1575.42 MHz from GPS/GNSS antenna
- NMEA 0183 messages on RS232 : Standard \$GPRMC and \$GPZDA
- Ultra low aging : < 3E-11/ month
- Frequency offset over temp. range : ± 1E-10
- Short-term stability : 1E-12 @ 100s
- Industry's first SmarTiming+® technology
 - Input REF locking resolution : 1 ns
 - Input REF disciplining/filtering/controlling : Auto adaptive
 - Smart loop time constant : 1000 - 100,000 sec
 - E1/T1 jitter & wander : ITU-T G.823/824
 - Input REF locking mode (user settable) : Sync(a) or Track(b)
 - Input REF types : GPS, GNSS, Cesium, E1/T1, LORAN-C, Maser
 - (PRS(c)/Stratum 1 source) : 1E-12, typical
 - Output frequency accuracy/stability : <3E-11/month
 - PRS(c)/Stratum 1 locked
 - Holdover (No PRS(c)/GPS)
 - Output time accuracy/stability : <50ns
 - GPS locked
 - Holdover (no PRS(c)/GPS) : <2µs/48 hr or <1µs/24 hr
- Standards compliance : ANSI T1.101, Stratum 1 / 2, GR-1244
ITU-T G.811/G.812, PRC, Type II CDMA IS-95, UMTS 3GPPS 25.104
- Small volume : 28 in³ (5x3.74x1.5" / 128x95x38.1mm)
- Single power supply voltage : 12V or 24V
- RS232 standard interface : Control & monitoring commands, 9600 b/s

Notes

- (a) Phase alignment (Output signal phase aligned to the REF/Reference signal)
 (b) Frequency alignment (Output signal frequency aligned to the REF/Reference signal)
 (c) PRS: Primary Reference Source such as GPS / GNSS, Cesium, and Maser

SPECIFICATIONS

ELECTRICAL

Spec		Smart LNRClok-1500			
Type		Standard	Options		
RFOUT Frequency		10 MHz	Not applicable		
Frequency Change		± 1E-10 -10°C to +55°C	±2E-10	-32 to 60°C (order code:E)	
Operating temperature range (Thermal chamber with air flow)			±1E-10	-32 to 65°C (order code:E65)	
Frequency Accuracy @ Shipment		< 5E-11 (+25°C), typical			
Aging (After 3 months of continuous operation)		< 5E-11 / month (typical: 3E-11 / month)	< 3E-11 / month or 2E-10 / year (order code: A) (typical: ±1E-11 / month)		
Short Term Stability			(order code: S)	(order code: S1)	(order code: ULN)
	1s	2E-11	1E-11	5E-12	2E-12
	10s	8E-12	3E-12	3E-12	2E-12
	100s	3E-12	1E-12	1E-12	1E-12
Phase Noise (dBc/Hz) (RFOUT 10 MHz)			order code: LN		order code:ULN
	1 Hz	-95	-100		-103
	10 Hz	-120	-126		-133*
	100 Hz	-140	-145		-153*
	1k Hz	-145	-155		-158
	10K Hz	-150	-155		-161
* Subject to export control (end user statement required)					
Frequency Retrace Off/On (In stable temperature, gravity, pressure & magnetic field conditions)		< 5E-11 24 hr / 1 hr			
Warm-up Time @ +25°C	Frequency stability	12 min 5E-10	Lock: < 7 min (order code: F)	Lock : < 5min (order code: FE)	25 min 5E-10 (order code: LP)
Analog Frequency Adjustment	Tolerance	5 x 10 ⁻⁹ ±20%			
[An external voltage (0-5 VDC) can be applied to pin 6 (FA). The cursor pin of a 10 kΩ variable resistor placed between pin 7 and GND can provide this voltage. If not used, pin 6 must be floating]					
Digital Frequency Adjustment		±1.67E-8			
Internal crystal oscillator freq.		10MHz			
Resolution (Through RS-232 commands)		5.12E-13			
RFOUT			Option code: X	Option code: 9 dbm	Option code:ACMOS
	Output level	Sine wave 0.5 Vrms (± 10%/50Ω)		Sine wave 9 dbm ±1.5db	2nd output Square wave 0-5V CMOS
	Output impedance	50 Ω ±20%			
	Harmonics	< -40dBc	< -60dBc		
	Spurious f _o ± 100kHz	< -80dBc	< -100dBc		
Communication Interface		RS-232 control & monitoring (see commands below)			
	Protocol speed	9600, n, 8, 1			

ELECTRICAL

Spec	Smart LNRClok-1500			
Type	Standard		Options	
Supply Voltage (DC)	24V (20 to 32 V)		12V (11.2 to 16 V) (order code: 12V)	
Max Power Supply Ripple	< 50 mV peak to peak (from 1Hz to 1 MHz frequency band)			
Input Power	<30W @12V or <38W @ 24V Typ. 20 W Typ. 15 W Typ. 10 W		with the following options:	
Warm up @+25°C (typical) 0°C +25°C +60°C			(F/E) <40 W (24V only)	(FE) <50 W (24V only)
Conformal coating	None		Option GPS : +2W Included (order code: CC)	
Reverse Voltage Protection	< -40V (up to -40V on power input / no damage)			
Electrical Protection	power +24V (12V) RF output TxD output RxD input Frequency adjust input Lock indicator		An internal diode protects against reverse polarity connection ESD and short-cut protected ESD and short-cut protected ESD protected ESD protected Over current protected	
Lock Indicator (pin 4) L = open collector B = TTL	Standard Open Closed	Option LR Closed Open	Option B < 0.4V 5V	Option BR 5V < 0.4V

SMARTIMING+® GPS/GNSS DISCIPLINING TECHNOLOGY OR INTEGRATED GPS/GNSS RECEIVER

Spec	Smart LNRClok-1500			
Type	Standard		Options	
Integrated GPS/GNSS Receiver	Not applicable		Yes (order code: GPS)	
GPS/GNSS Antenna Kit Input	Cable connector Active antenna voltage		Not applicable (order code: GPS) SMA 5V	
GPS/GNSS Antenna Kit	Antenna type Lightning surge protector Cable length		(order code: PA) Patch antenna Not applicable ≥5 m/16.4'	(order code: RA) Rooftop antenna Included (order code: CA) 5+15m/16.4'+49'
Antenna mounting bracket	Not applicable		(order code: BRA)	
Input PPSREF	Level Reference types Disciplining & filtering Disciplining mode Architecture Model		CMOS 0-5V or 0-3.3V rising edge GPS/GNSS/E1/T1/Cesium/Maser Auto-adaptive thru SmarTiming+® technology (request White Paper) Sync (phase alignment) or Track (frequency alignment) See Operational Principles below	
GPS/GNSS Receiver Control	T-RAIM @ startup time Position hold @ startup time		Request GPS/GNSS iSync+ Connectivity AppNotes Auto-configured, if supported by receiver Auto-configured, if supported by receiver	
PPSOUT Output	Output Level Pulse Width or duty cycle (PW)		1PPS CMOS 0-5V (±20 mA sink/source) User settable, 0 to 1s in 66ns/step	
PPSOUT to PPSREF Sync Error	Conditions (Sync Mode)		< 50 ns No PPSRef noise, ± 1°C temp fluctuations	

PPSOUT to PPSREF (DE) Programmable delay (Track mode)	0 to 1s in 66ns/step		
PPSOUT Holdover Time Stability Temperature window (After learning phase > 10 τ)	< 1μs / 24 hr < 7μs / 1 week Within ±2°C	< 3μs / 24 hr Within 20°C	< 7μs / 24 hr Within 40°C
Smart Loop Time Constant Phase/Frequency User settable	Auto-adaptive 1,000 to 100,000 sec Sync/Trak mode RS-232 command interface		
Communication Interface GPS/GNSS Protocol speed	RS-232 control & monitoring (see commands below) 9600, n, 8, 1		

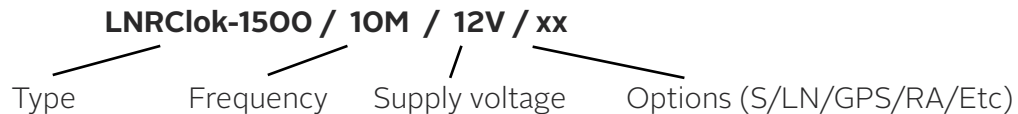
ENVIRONMENTAL

Spec	Smart LNRClok-1500
Type	Standard
Magnetic Field Sensitivity	< 2E-11 / Gauss (< 1E-10 / Gauss in longitudinal axis)
Storage Temperature	- 55°C to + 85°C
Humidity	GR-63-CORE, Section 5.1.2
Operating Vibration	GR-63-CORE, Section 5.4.2 Random and Sinusoidal MIL-PRF-28800F, Class 3, 4
Shock	Survival: 40g / 11ms
Helium concentration sensitivity	< 1E-10 per ppm of Helium concentration change
G-Tip-Over Test	< 2E-10 / g in worst axis

PHYSICAL

Spec	Smart LNRClok-1500	
Type	Standard	Options
Size (L x W x H)	5x3.74x1.5" / 128x95x38.1mm	
Weight	525g (18.52 oz)	
Mounting & Mechanical Layout Screw fixture type (6 pieces)	see drawings below UNC-4-40	Not applicable M3 (order code: M3)
Connectors Male D-sub 25 pins SMA RFOUT coaxial SMA GPS/GNSS Input coaxial	see pin-out & drawing data below 10MHz Not applicable	GPS/GNSS antenna kit (with the option GPS)
Warranty	Electronics : 1 year; Lamp & cell : 20 years	

MODEL ORDERING INSTRUCTIONS



KEY OPERATIONAL PRINCIPLES

The smart LNRClok-1500 uses SmarTiming+® technology. It auto-adaptively locks multi-vendor Stratum-1 references such as GPS, GNSS, Cesium, LORAN-C, CDMA and E1/T1 at industry's first 1ns resolution for the highest performance level, and generates a perfectly aligned 1PPS output signal (PPSOUT) and time of day (TOD) information.

As illustrated in Fig. 1 below, the smart LNRClok-1500 has two basic modes of operation: "Track" and "Sync". "Track" is used for frequency alignment while "Sync" is used for phase alignment applications.

In "Track" mode, the smart LNRClok-1500 uses an external PPS reference (PPSREF) to align the frequency of the LNRClok-1500. The frequency alignment is computed by an internal phase-time error signal that is generated by an internal PPS signal (PPSINT), which measures the signal at 1 ns resolution through its SmarTiming+® technology. The PPSINT then aligns the PPSREF phase.

In the "Sync" mode, the smart LNRClok-1500 phase aligns the PPSOUT to the PPSREF with the PPSINT reference signal, which uses SmarTiming+® algorithm to 1) compare the PPSOUT and PPSREF signals at 1ns resolution within a +/-500ns dynamic range and 2) auto-adaptively align them.

The smart LNRClok-1500 has also the capability to dynamically analyze the stability of the PPSREF signal through the excellent mid-term frequency stability of the Rubidium technology. Thus, the 1PPS reference of a Stratum-1 source such as GPS can be directly fed to smart LNRClok-1500 without specific analysis of the internal optimization parameters of the GPS engine - i.e., number of satellites in view, signal to noise ratio, etc.

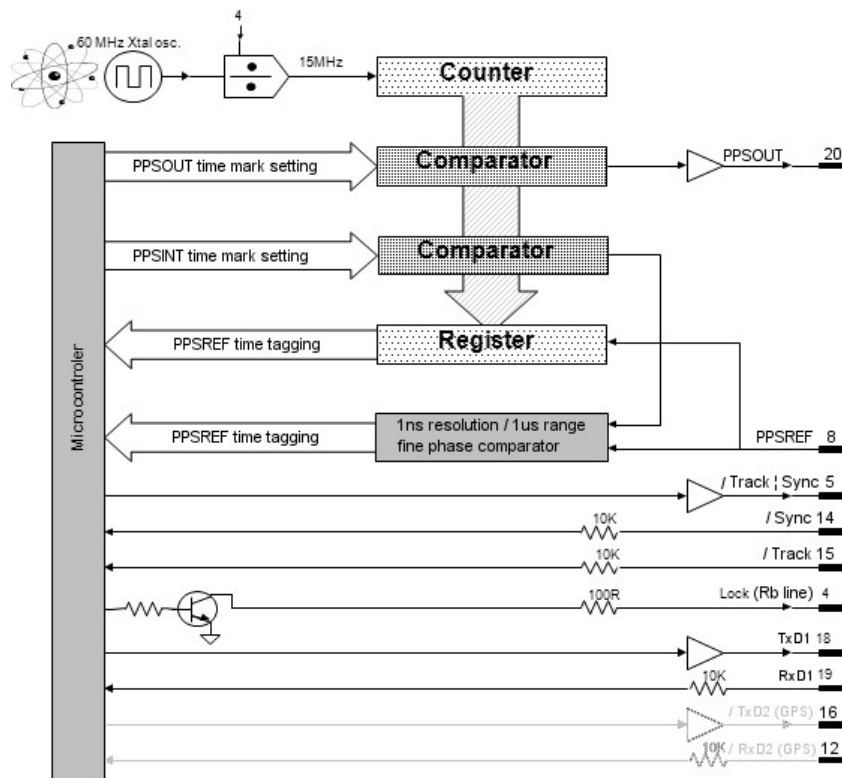


Figure.1: SmarTiming+® Control Block Diagram

As illustrated in Fig. 2 below, the “Track” mode aligns the PPSINT to the PPSREF within 66.6ns. After about 10T, the PPSINT is perfectly aligned to the PPSREF.

The smart LNRClok-1500 is also capable to perfectly align the PPSOUT to the PPSREF or to adjust the PPSOUT from 0-1s with a 66.6ns resolution. This time adjustment can be programmed through the RS232 interface. After a descending edge of the “Sync” signal, the PPSOUT will be aligned to the PPSREF (see figure 2).

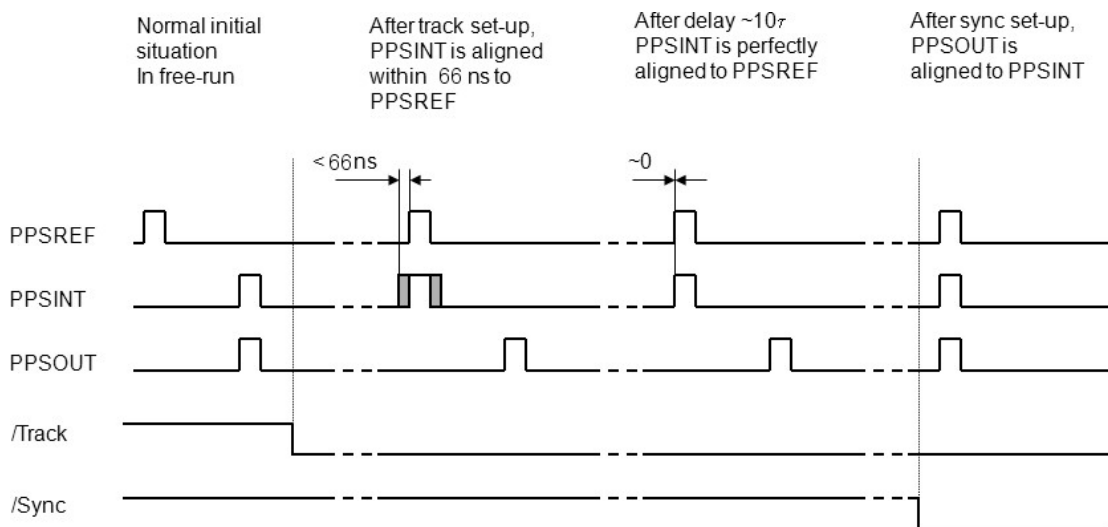


Figure 2 : “Track” & “Sync” Mode

STANDARD RS-232 CONTROL & MONITORING COMMANDS

The operating and monitoring parameters of the LNRClok-1500 are accessible for read and write operations through the serial RS-232 port (9600 bits/sec., no parity, 1 start bit, 8 data bits, 1 stop bit).

There are 2 basics commands, which are M, Cxxxx

M<CR><LF>: monitors the basic internal signals of the atomic clock.

The returned answer looks like

HH GG FF EE DD CC BB AA <CR> <LF>

Where each returned byte is an ASCII coded hexadecimal value, separated by a <Space> character. All parameters are coded at full scale.

HH: Read-back of the user provided frequency adjustment voltage on pin 6 (0 to 5V)

GG: reserved

FF: peak voltage of Rb-signal (0 to 5V)

EE: DC-Voltage of the photocell (5V to 0V)

DD: varactor control voltage (0 to 5V)

CC: Rb-lamp heating current (Imax to 0)

BB: Rb-cell heating current (Imax to 0) AA: reserved

Cxxxx<CR><LF> *: output frequency adjustment through the synthesizer, by steps of 5.12×10^{-13} , where xxxx is a signed 16 bits word in hexa coded ASCII. This value is automatically stored in a EEPROM as last frequency which is applied after RESET or power-ON operation.

In Track mode this correction is not in use. The function FCsdddd do the same. But the data format is different.

Note :

* Warning :: This command is acting into non volatile memory. Numbers of commands sent during the whole unit life time limited to 100'000 in total (all commands cumulated).

Timing & Locking Control Functions

Using the same data interface, the smart LNRClok-1500 models can accept the following basic ASCII commands: Data is in decimal ASCII code.

Command name	Syntax command	Data field (if any)	Response syntax	Response data (if any)
Identification	ID <CR><LF>	-	SPTLNR -aaa/rr/s.ss <CR><LF>	aaa: 001. rr: revision number s.ss: software version
Serial number	SN <CR><LF>	-	xxxxxx<CR><LF>	xxxxxx : 6 digits serial nbr
Status	ST <CR><LF>	-	s <CR><LF>	s:Status s=0 :warming up or no light s=1 :tracking set-up s=2 :track to PPSREF s=3 :synch to PPSREF s=4 :Free Run. Track OFF s=5 :FR. PPSREF unstable s=6 :FR. No PPSREF s=7 : FREEZE s=8 :factory used s=9 :searching Rb line
Beat a message on the serial port once per second. Except BT8, BT9.	BT x<CR><LF>	x=0 : Stop beat x=1 : Effective Time interval PPSOUT vs PPSREF x=2 : Phase comparator x=3 : Both x=1 & x=2 x=4 : Beat Time of day x=5 : Beat status x=6 : Beat <CR><LF> x=7 : Beat Date, Time, Status x=8 : Spec. PPSREF tagging x=9 : Special GPS message x=A : Beat NMEA \$PTNTA, x=B : Beat NMEA \$PTNTS,B, x=R : Beat NMEA \$GPRMC,.. x=Z : Beat NMEA \$GPZDA,..	Various, see Manual	Various, see Manual
View PPSRef Sigma	VS <CR><LF>		ddd.d<CR><LF>	ddd.d : Sigma of PPSRef in ns. In tracking, Status 2, 3.
View Time constant	VT <CR><LF>		dddddd<CR><LF>	dddddd : Loop time constant now in use, in second.
Set Tracking PPSINT - PSSREF	TR x<CR><LF>	x=0 : set tracking state : OFF x=1 : set tracking state : ON x=? : interrogation	x<CR><LF>	x:Tracking state x=0 :tracking state OFF x=1 : tracking state ON
Set Synchronisation PPSOUT – PPSINT	SY x<CR><LF>	x=0 : set synch. state : OFF x=1 :set synch. state : ON x=? :interrogation	x<CR><LF>	x:Synchronisation sate x=0 : synch. state OFF x=1 : synch. state ON
Set no Alarm Window	AW ddd<CR><LF>*	ddd = Half no Alarm Window in µs. From 1 to 255 AW000 : no checking AW??? : interrogation	ddd<CR><LF>	ddd : half no Alarm Window in µs.
Set Tracking Window (in µs)	TW ddd<CR><LF>*	ddd = half Tracking Window in µs. From 001 to 255 TW000 : no checking TW??? : interrogation	ddd<CR><LF>	ddd : half Tracking Window in µs.
Set tracking phase loop time constant	TC dddddd<CR><LF>*	dddddd = Time constant in seconds (000100 to 999999) TC000000 : change to auto. TC?????? : interrogation	dddddd<CR><LF>	dddddd : time constant in seconds
Set frequency save. Average value, when Status = 2, 3	FS x<CR><LF>*	x=0 : never save x=1 : save every 24 hours x=2 : save right now x=3 : save actual freq. now x=? : interrogation	x<CR><LF>	x=0 : never save x=1 : save every 24 hours
Set fine phase comparator Offset	CO sddd<CR><LF>*	s : +/- signe ddd : limited with range + 127 / - 128 CO???? : interrogation	sddd<CR><LF>	s : +/- signe ddd : offset in approx 1 ns steps
Raw phase adjust	RA sddd<CR><LF>	s : +/- signe ddd : limited with range + 127 / - 128	sddd <CR><LF>	s : +/- signe ddd : raw phase just asked in 66 ns steps

Set PPSOUT Pulse Width (rounded to 66ns)	PW ddddddddd<CR><LF>*>	ddddddddd=pulse width in ns Max :999999933 PW000000000: no pulse PW?????????: interrogation	ddddddddd<CR><LF>	ddddddddd=pulse width in ns
Set PPSOUT delay (rounded to 66ns)	DE ddddddddd<CR><LF>	ddddddddd=delay in ns Max : 999999933 DE000000000 : synch. to PPSREF DE?????????: interrogation	ddddddddd<CR><LF>	ddddddddd= delay in ns
Set Pulse Per d second	PP dddeee<CR><LF>*	ddd: 1 pulse every ddd second eee: offset to GPS epoch in second PPO000000 : no pulse PP?????: interrogation	dddeee<CR><LF>	ddd: 1 pulse every ddd second eee: offset to GPS epoch in second
Date	DT <CR><LF>		yyyy-mm-dd	yyyy : year mm : month dd : day
Set date	DT yyyy-mm-dd <CR><LF>	yyyy : year mm : month dd : day	yyyy-mm-dd	yyyy : year mm : month dd : day
Time of day	TD <CR><LF>	-	hh:mm:ss<CR><LF>	hh:hours mm:minutes ss:seconds
Set time of day	TD hh:mm:ss<CR><LF>	hh:Hours mm:Minutes ss:seconds	hh:mm:ss<CR><LF>	hh:hours mm:minutes ss:seconds
Set frequency correction	FC sdddd<CR><LF>*	s:+/- signe dddd = limited within range : +32767/-32768 FC?????: interrogation	sdddd<CR><LF>	s: +/- signe dddd : frequency in 5.12 x 10 ⁻¹³ step
Set module adjust	MA vxx..<CR><LF>*	v : action verb xx: OO..FF: parameter number v=R : Read from ram v=W : Write to ram v=L : Load from eeprom v=S : Store to eeprom v=F : Flash value v=B : Behavior at start v=A : Activate msg at start v=C : Cancel msg at start v=H : Help v=T : Type of data	Various, see Manual	Various, see Manual
FREEZE frequency	FREEZE x<CR><LF>	x= 1:freeze frequency x= 0:no	x<CR><LF>	x: 1:frequency frozen x: 0:no
Reset micro controller	RESET <CR><LF>			(Identification & welcome message, GPS binary)

Note :

*Warning : These commands are acting into non volatile memory. Numbers of commands sent during the whole unit life time limited to 100'000 in total (all commands cumulated).

Pin-Out Status Levels

PIN # 4 & 5 STATUS LEVELS			
Status	Pin # 4 Xtal not locked to Rb line	Pin # 5 Track/Synch alarm	
	Rb lock (open collector)	In Track Mode (TTL + 1K)	In Synch Mode (TTL + 1K)
s=0 :warming up	Low (<2 V / 5 mA)	High	High
s=1 :tracking set-up	High	High	High
s=2 :track to PPSREF	High	Low	High
s=3 :synch to PPSREF	High	High	Low
s=4 :Free Run. Track OFF	High	High	High
s=5 :FR. PPSREF unstable	High	High	High
s=6 :FR. No PPSREF	High	High	High
s=7 :FREEZE	High	High	High
s=8 :factory used	High	High	High
s=9 :fault or Rb OOL	Low (<2 V / 5 mA)	High	High

NMEA 0183 Format (BTA, BTB, BTR, BTZ)

\$PTNTA,yyyyymmddhhnnss,q,**T3**,rrrrrr,sfff,x,y*CS<CR><LF>

yyyy: year; mm:month; dd: day; hh: hour; nn: minute; ss: second; q: quality, 0: Rb line not locked, 1: Free Run, 2: Disciplined; T3: format descriptor; rrrrrr: effective time interval PPSOUT vs PPSREF; sff: phase comparator; x,y: reserved; CS: checksum.

\$PTNTS,B,s,ffff,iiii,aaaa,x,y,s,ccccc,ggg,gg,x,y*CS<CR><LF>

s: general GRClock-1500 status; ffff: actual frequency offset; iiii: integral part of PI regulator; aaaa: average frequency on 24 hours; x,y: reserved; ccccc: loop time constant; ggg,gg: sigma; x,y: reserved; CS: checksum.

\$GPRMC,hhnnss.**00**,v,tttt.tttt,h,nnnnn.nnnn,a,,,ddmmyy,,**E***CS<CR><LF>

hhnnss: hour, minute, second(UTC); v: validity(**A/V**=valid); tttt.tttt: latitude(degree.minute); h: hemisphere(**N/S**); nnnnn.nnnn: longitude(degree.minute); a: area(**E/W**); ddmmyy: day, month, year; CS: checksum.

\$GPZDA, hhnnss,dd,mm,yyyy,*CS<CR><LF>

hhnnss: hour, minute, second(UTC); dd,mm,yyyy: day, month, year; CS: checksum.

PIN-OUT DESCRIPTION

Males D-Sub 25 Pins

Pin #	GRClock-1500	Dir
1	12V (11.2 to 16) or 24V (20 to 32)	Input
2	12V (11.2 to 16) or 24V (20 to 32)	Input
3	GND	Ret
4	Rb lock (open collector) (lock=open)	Output
5	Track/Synch Alarm (TTL+1K) (lock=OV)	Output
6	FA (analog frequency adjust input)	Input
7	Vref out (+5V internal reference)	Output
8	NC (PPSREF reference time pulse)	Input
9	NC (Factory use or diagnostics)	Output
10	GND	Ret
11	OPTION (PLL synthesizer output 0-5V CMOS > 20mA sink/source)	Output
12	NC (/RxD2 GPS, RS232 Receive 5V-0)	Input
13	NC (Option 2)	Output
14	/Sync (synchronize PPSOUT to PPSREF)	Input
15	/Track (PPSREF phase tracking)	Input
16	NC (/TxD2 GPS (RS232 Transmit 5V-0)	In-Out
17	/Reset (LNSRO micro controller)	Input
18	TxD1 (RS232 Transmit 0-5V)	Output
19	RxD1 (RS232 Receive 0-5V)	Input
20	PPSOUT (output time pulse from internal clock)	Output
21	NC (Time Tagging)	Ret
22	GND	Ret
23	GND	Ret
24	NC (RFOut in other iSync clock)	Output
25	GND	Ret

HEAT SINK MOUNTING

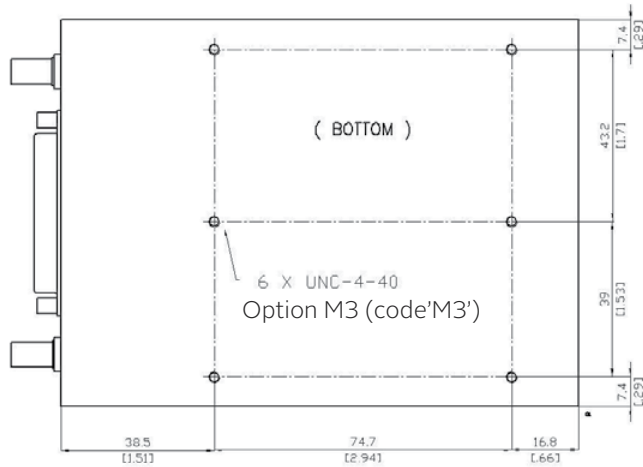
Below are some heat sink options depending on your environmental system configuration:

- 1) Mount the LNRClok-1500 on a copper ground PCB. This mounting configuration is not recommended for >50°C ambient operational temperature.
- 2) Mount the LNRClok-1500 against a system chassis using the UNC 4-40, Option M3 (code 'M3') screws with the provided thermal pad or thermal paste in between and wire bridge the D-Sub connector. This mounting configuration is recommended.
- 3) Mount a radiator on top of the LNRClok-1500 with the provided thermal pad or thermal paste in between, if no base plate or system chassis is available. This mounting configuration is recommended.

For any heat sink mounting questions, best practices or recommendations, please feel free to contact us at sales@spectratime.com

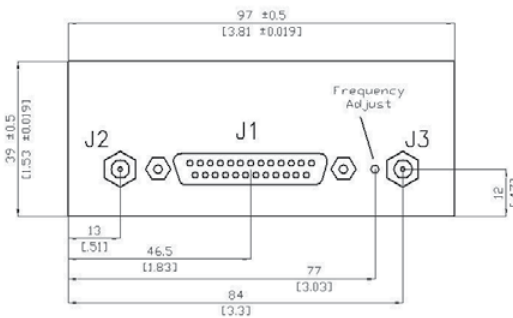
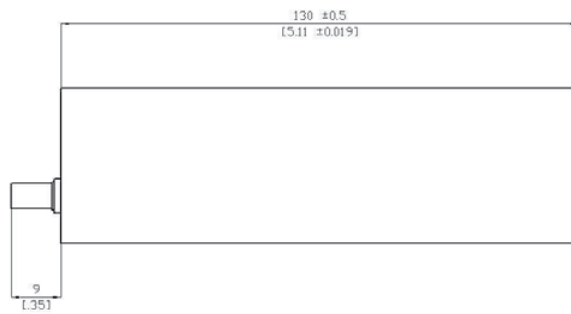
Mechanical Sizes

All sizes are in mm and the pictures are not to scale.

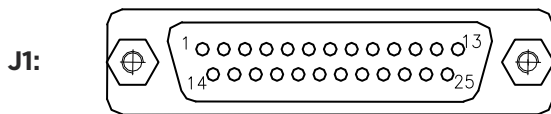


Maximum length of the fastening screws : For
UNC-4-40 : 0.1968"
For M3 : 5 mm

00 Dimension are in mm
[0.00] Dimension are in inches



Connector Front View



Male D-Sub 25 pins

J2: SMA / RF out (10MHz)

J3: SMA / GPS Antenna